



Directory



Notice	1
Player overview	1
Accessories	3
LCD	4
Turning the power on/off	5
Playing MP3 music	6
Use menu under the playing mode	8
Voice Recording Function	10
The menu under voice mode	12
Setting EQ(Equalizer)	13
Settings Repeat mode	15
Setting LCD contrast	17
Setting Auto OFF time	18
Setting Voice Recording Parameter (Rec Sample)	19
To Delete files	20
Repeat of A-B Section	22
Examine memory Information(Memory Info)	23
USB Connection	24
System Requirements	25
Installation of Manager Software	26
How to use Digital Audio Management System	27
Sending files to Digital Audio	28
Sending files from Digital Audio to PC	31
Formatting the memory of Digital Audio	33
To Delete file	35



Directory



To refresh USB connection	36
Internal Memory Display	37
Pre-listen	38
Trouble Diagnosis	39
Technical Spec	41



◆ Notice

1. Please use the provided formatting software to format the MP3 player. It will not work if the Microsoft Windows formatting tool is used. If the provided player Management Software isn't installed, please use the "delete" command to erase the existing files in the player.

2. When transferring files between the MP3 player and the PC, please note the MP3 player's LCD display. The transferring rate is displayed on the screen. The transmission is completed when the LCD stops displaying the moving note.

3. The "Plug and Play" function is only for the Win2000/WinXP operating systems or higher. Win98/win98SE users need to install drivers in the "Win98/ win98SE" file that are built into the MP3 player Recorder Management System. If the computer still cannot find the device, please refer to the CD-ROM and install the files from the Win98 driver folder on the driver CD.

4. Sometime you will see "error reformat media" on the screen then the player will shut down when you format your MP3 player by windows formatting. Now you must format the player by the manager formatting tools again to repair it.

5. Please do not operate the device under extreme temperature.



Notice



- Take out the battery if not use for a period of time to avoid internal damages.
- Release the hold button before operating the device.
- Be careful not to drop the device. This may cause internal damages or scratches on the surface.

Battery Life

Unit: hour

Battery Type	Play time
AAA battery	17

- Note: Battery life may vary accordingly.
- You can replace the battery under the following conditions.
 - The device shuts down right after power on.
 - All the buttons on the device does not response.
 - The display screen shows "low battery"warning.
 - The battery icon is empty and flashes.

To avoid static when operating, please pay attention to the following:

- If possible, do not operate the device under extremely dry environment.If the device stops functioning under normal condition, please restore it to the original settings.

1.If you see "Error,Reformat Media" in the LCD when



Notice



you turn on your player you must format the player by Windows format to repair the player.

2. When you can not delete file in the MP3 player by PC or the memory size is not same of the truly size, it show you the storage system in the player wrong, and you must format your player with Windows format .



Player overview



◆ Front



PLAY/PAUSE/POWER



A-B Repeat



FF/Menu(Mode)/Rew



Hold button



Volume+/Volume-



Earphone



◆ Side face

Last/Play (Pause, POWER)/ Next (Press up shortly-Last,
Press up for more than 2 seconds-Skip down;
Press down shortly-Next,
Press down for more than 2 seconds-Skip up;
Press middle shortly-Play/Pause, press middle for than 2
seconds-POWER)

USB2.0 high speed transmit, read speed:
26000Kb/s, write speed: 22800Kb/s



Player overview



◆ Accessories



Installation CD



USB Cable



Stereo Phone



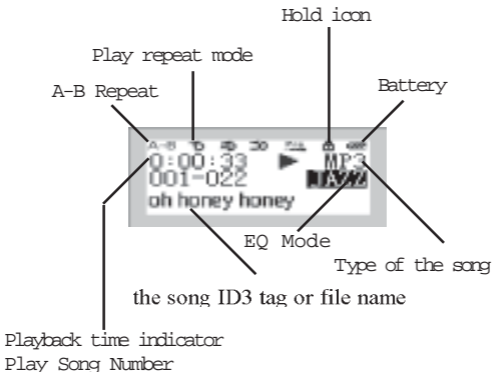
Manual/Maintenance Certificate



A A A Battery



◆ LCD



Repeat modes include Repeat, Repeat All, Random, Preview and Normal(Normal mode isn't illustrated in the figure.)

Equalizer modes include Jazz, Classic, Rock, Pop and Normal.



◆ Turning the power on/off

The power will be turned on when PLAY/STOP button is pressed momentarily. In 2 seconds, a glorious picture with blue backlight appears. The backlight will be turned on and last several seconds if some button is pressed; if not, the backlight will be automatically turned down after several seconds.



Pressing PLAY/STOP button for more than 3 seconds until “Power OFF” appears on the screen, then it’s safe to turn the power off.





Player overview



◆ Playing MP3 music

1 Turning on the power by pressing PLAY/STOP button momentarily, you could see the following interfaces: you can see the songs in the interface, press the play/stop key to play songs.



2 When you press PLAY/STOP button again, the current track will be played as shown above. The top left corner is the playback time indicator.

3 If you want to select previous/next piece, turn the rolling wheel up and down to get the track. The music will pause if you press PLAY/STOP.

4 By pressing the PLAY/STOP button for 3 seconds, you could turn the power off.

5 By pressing VOL+/VOL- button, you could control the volume under either PLAY or PAUSE status. The volume (see illustration) will increase or decrease when the VOL+/VOL- button is pressed correspondingly.





Player overview



when you play music, you can make the playing forward speed 3 times, backward speed 3 times by long press the FF/REW key . Just as below.



Caution

The battery status indicator may flicker while MP3 is playing, which results from battery supply vibration while different power is consumed.



Player overview



- ◆ Use menu under the playing mode
 1. Press PLAY/STOP to turn on the MP3 player
 2. Press the Menu button (in the middle of the rolling wheel). So you can see the function menu of the MP3 player as following:



Music
Voice
Record
Delete
Settings
Memory Info
Return

All the options are listed in the right table. You may select every item by the rolling up/down wheel.

3. You can use Last/Next button to select every item in the function menu and press Mode button to enter the function. If there is triangle at the end of item, it show that there is low level menu at this item.

4. When you select “Music” you will enter the Music Mode interface, and you can select music file to play.

5. when you select “Voice” you can enter Recording file interface, and you can select recording file to play.

6. when you select “setting” you can set recording pa-



Player overview



parameter and other parameter.

7. when you select "delete" you can delete music file or recording file.

8. When you select "Memory Info" you can know internal memory using size and total size.

9. when you select "record" begin to record file from MIC.

10. when you select "return" you can return to music interface.

Note:

You can return to Music mode quickly by long press Mode button whenever what mode you are in.



◆ Voice Recording Function

1. After turning on the power by pressing PLAY/STOP button, press the Menu button (in the middle of the rolling wheel), and then you can see the menu.

2. Select “Record” item, it will begin to record (See illustration). (The file format is WAV file) 8000Hz show the WAV recording sample is 8000Hz, which can set in the Rec Sample item which is in the setting item. Detailed setting will show later.

Also you can press A-B/Rec key long, it will begin to record immediately.



3. Now you can stop recording by pressing the Play/Stop button, then it will enter the voice mode, now you can select any voice file to play. Just as illustration.





4. Before you record file, you can change the sampling rate at the menu, detailed information you can refer to behind.

Note:

While recording, all buttons except PLAY/STOP and Hold button are not workable.



◆ The menu under voice mode:

You can use the function menu to operate the Digital Audio under voice mode:

1. Turn on the Digital Audio by pressing Play/Stop button.

2. Press Mode button (in the middle of rolling wheel), you can see the menu just like Music mode, also the operation in the voice mode is same as Music mode. You can exit voice mode by select Music item in the menu.





◆ Setting EQ (Equalizer)

You can select different equalizer mode according to different music.

1. Press Play/Stop button to turn on the MP3 player.
2. Press Menu button to get the menu.
3. Select “settings” in the menu by the Next/Last button.
4. Press Mode button and get the “EQ” item and press Mode button, then EQ menu would pops up. (as illustration)



There are five modes: JAZZ, CLASSIC, ROCK, POP and NORMAL. The list of equilibrium effect pops up after selecting EQ, after you select the EQ by rolling up or down wheel, then press Mode button to affirm. Then you can see the EQ will show in the playing illustration.





Player overview



You can adjust the modes by the EQ menu. You could experience perfect Jazz, Classic, Rock, Pop sound effect by choosing suitable corresponding mode. Normal mode could bring you original sound effect. After you select different EQ mode, it will show on the screen when you play music or voice.

5. If you don't want to change current settings, you can press menu button long to exit.



Player overview



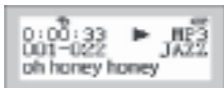
◆ Settings Repeat mode

If you want to change playing repeat mode, please do it follow below:

1. Press Play/Stop button to turn on the MP3 player.
2. Press menu button (in the middle of the rolling wheel) to get the menu
3. Select “settings” in the menu using Next/Last button (the upside/downside of the rolling wheel).
4. Press menu button to get Repeat item.
5. Press menu button to get Repeat pop up as illustration.



Selecting Repeat, you can see the following interface and the Play Repeat mode can be changed. The mode includes: Shuffle, Normal, Repeat All, Repeat Track.



Repeat Track

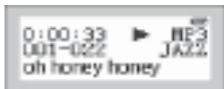


Repeat All

Player overview



Shuffle



Normal

Repeat Track: Plays the current MP3 music repeatedly.

Repeat All: Plays all MP3 music in order repeatedly until another operation is performed.

Shuffle: Plays all MP3 music at random and then stops.

Normal: Plays the MP3 music in order and stops after the last music has been played.

6. If you don't want to change current setting, you can press menu button long to exit.



Notice



◆ Setting LCD contrast

Because the LCD contrast is different at different temperature. If you feel the LCD contrast not fitting for you, you can set it in the menu.

1. Press Play/Stop button to turn on the MP3 player.
2. Press Menu button (in the middle of the rolling wheel) to get the menu
3. Select "Settings" in the menu using Next/Last button (the upside/downside of the rolling wheel)
4. Press Mode button to get "Contrast" item.
5. Press Mode button to get Contrast setting pop up as illustration.



You may set the LCD contrast 32 level, every time you adjust the LCD contrast number, you can see the LCD turning dark or light.

- If you set 1 for LCD contrast number, in the LCD you can not look anything because it turn very light.
- If you set 31 for LCD contrast number, in the LCD you can look black because it turn very dark.



Notice



◆ Setting Auto OFF time

Sometime you want to shut your MP3 player automatically in a few minutes when it is in pausing or stopping. Now you can set different time to shut down automatically.

1. Press Play/Stop button to turn on the MP3 player.
2. Press Menu button (in the middle of the rolling wheel) to get the menu
3. Select "Settings" in the menu using Next/Last button (the upside/downside of the rolling wheel)
4. Press Menu button to get "Auto OFF" tem.
5. Press Menu button to get Auto OFF' setting pop up as illustration.



You may select "Disable" "1Min" "2Min" "5Min" "10Min"

When you select "Disable" your player will not shut down automatically whenever it is playing or pausing.

When you select "1Min" "2Min" "5Min" "10Min" your player will shut down when the player have paused or stopped by 1 Min, 2Min, 5Min, 10Min. When your player shut down automatically it will show "Auto Power Off" on the screen.



Notice



◆ Setting Voice Recording Parameter (Rec Sample)

According to your needing, you can set different recording sample, the higher of the recording sample, the better of the voice quality.

1. After turning on the power by pressing PLAY/STOP button, press the Menu button (In the middle of the rolling wheel), and then you can see the menu as illustration.



2. Select "setting" item by rolling up or down wheel, just as illustration, in the setting item, there are 7 items to select. Selecting "Rec sample" item, you can set record file sampling rate. Just as illustration. There are 8000Hz, 11025Hz, 16000Hz, 22050Hz, 32000Hz, 44100Hz, 48000Hz option, you can select by rolling up or down wheel, then press menu key to affirm.



If we set higher Rec sampling, the more memory size will be used when we record the same time.



◆ To Delete files

If you want to delete the files in the Digital Audio, You can choose to delete files from the player or the provided management software.

You can delete songs in the Digital Audio by do following acts:

1.Press Play/Stop button for a while to turn on the MP3 player .

2.Press Menu button (in the middle of the rolling wheel) to get the function menu.

3.Select Delete by NEXT/LAST (the upside/downside of the rolling wheel) in the menu.

4.Press Menu button to confirm the selection. There are three items to select as illustration.



5.You can select to delete music file in the player by selecting Music item. When you select to delete music file, the deleting interface will be show in the LCD, if you did not want to delete this file you can choose "No" item by upside/downside rolling wheel, press Menu button to confirm then it will show next songs in the LCD, until you find what songs



Notice



you will delete, choose Yes item by upside/downside rolling wheel, press Menu button to confirm deleting. Just as illustration. If you did not want to delete any file, please press Menu button long to exit.



6.You can select to delete record file in the player by selecting Voice item. When you can select to delete recording file, the deleting interface will be show in the LCD, if you did not want to delete this file you can choose "No" item by upside/downside rolling wheel, press Menu button to confirm then it will show next songs in the LCD, until you find what files you will delete, choose Yes item by upside/downside rolling wheel, press Menu button to confirm deleting. Just as illustration. If you did not want to delete any file, please press Menu button long to exit.





Notice



◆ Repeat of A-B Section

This function is used when you want to listen to a certain section repeatedly during the playback. It is also great for language learning.

1. Hold PLAY/PAUSE button to power on the player.
2. Select and play the desired track. While the selected track is playing, press the A-B Repeat button to designate the Start position. You will see the icon "A-" in the display screen.
3. Press the A-B Repeat button again at the expected time to designate the End position; now the designated section will be repeated automatically. (As shown)



Designate the Start position A



Designate the End position B



Notice



◆ Examine memory Information (Memory Info)

You could examine the utilization of the memory without being connected to the PC.

Press Play/Stop to turn on the MP3 player.

Select Memory Info in the menu by pressing Last/Next (the upside/downside of the rolling wheel) button.

Press Menu button to confirm. The MP3 player memory information will show the capacity of used memory and total memory. It will return to the Play interface after 10 seconds if there is no button pressed. Also you can press Menu button long to return music mode.



Free Memory	245M
Total Memory	256M



Notice



◆ USB Connection

You could transmit MP3 files through USB port of your PC.

1. Make sure your PC support USB devices. (Refer to the manual of your PC for the information about hardware).
2. Connect your PC directly or by USB cable with digital audio.
3. LCD display window will show connecting picture if connection is finished. Just like the illustrator below.
4. If you have installed the attached software, the PC will automatically find the device when the Digital Audio is connected to the PC at the first time. If not, please install the manager software first. We strongly recommend users install the provided management software under Windows 98/XP/2000.





◆ System Requirements

It is important to install MP3 player manager software before connecting MP3 player to PC. After putting the Installation CD into CDROM Drive, USB Driver and manager software will be installed automatically. The MP3 player manager software requires the following systems:

- ◇ IBM compatible personal computer
- ◇ Pentium 166 MHz MMX or faster
- ◇ Windows 98 SE, Windows 2000 or WindowsXP
- ◇ USB Port
- ◇ 32MB RAM or more (64MB is recommended for Windows 2000)
- ◇ 20MB free hard-disk space or more
- ◇ 4× CD-ROM drive or more
- ◇ Sound Card (Optional)
- ◇ Accessible to Internet (Recommended)



◆ Installation of Manager Software

Put the Installation CD into CD-ROM Drive and then it will be installed automatically. You should click the “Next” button on installation screens, and the MP3 player Manager Software and USB Driver will be installed. It will remind you of restarting your PC when installation is finished. At last, “/Start/Program/MP3 player” is created in the Windows Menu, and the MP3 player icon is also created on the Desktop window.



Notice



◆ How to use Digital Audio Management System

First connect the Digital Audio and your PC directly or with the USB cable. Then the Digital Audio's LCD Display Window will show picture if connection is finished.



Click the icon on the Desktop. Then the interface of MP3 player management system will be shown.





Notice



3. Click the Download button or select the "Download" option in the tool menu.

4. An interface of Copy will appear.

5. System will set up an EDISK directory automatically and place the non-audio files to EDISK in the removable disk of the MP3 player after you download the non-MP3 or WMA files.

6. The management system will examine the MP3 player automatically. When the USB cable is pulled out from the MP3 player, the management system won't work.

Caution:

1) Do not pull out MP3 player while a file is being downloaded. It will do harm to your MP3 player.

2) If the MP3 player cannot work by accident, take out the battery and reinsert it 3 seconds later. Reconnect MP3 player to PC, then delete the bad songs in MP3 player.

3) If you couldn't find the downloaded non-audio files in the removable disk of MP3 player, please look into EDISK directory.

4) While you download file in Win98 OS, the transmitting must regard to player displaying. We simulate the transmitting by the player displaying motivation. When the motivation stop, which denote the transmitting finished, you can take out the



Notice



player safely. The player do harm when you take out the player while the transmitting have not completed.



Notice



◆ Sending files from Digital Audio to PC

MP3 player can also act as a removable electronic disk. You could send files in the disk to your PC with the management system but the audio files are not permitted to send due to copyright protection. Only files in the EDISK are allowed.

1. Connect the Digital Audio and PC.
2. Select the files to be sent.
3. Click the Upload button in the manager software.



4. The interface of transmission would be displayed.

Caution:



Notice



Do not pull out the digital audio while a file is being downloaded. Otherwise it will do harm to your Digital Audio.

It is not permitted to transmit music files for copyright protection. System will warn you "cannot be send" if you select MP3 or WMA files.

While you transmit files in Win98 OS, the transmitting progress must regard to player displaying. We simulate the transmitting by the player displaying motivation. When the motivation stop, which denote the transmitting finished, you can take out the player safely. The player do harm when you take out the player while the transmitting have not completed.



Notice



◆ Formatting the memory of Digital Audio

Before formatting, be sure that the Digital Audio is turned on and connected to PC.

1. Run the management system of Digital Audio on the desktop.

2. Click Format icon, the dialog box of format will pop up.





3. Click Start button it begins to format Digital Audio memory.

Caution:

All the files will be deleted by formatting the memory.

Do not disconnect while formatting, or your Digital Audio may lose system files and cannot be started up.



Notice



◆ To Delete file

Besides deleting files directly by Digital Audio, you could also achieve this by using the management system of Digital Audio.

1. Connect the Digital Audio and PC; turn on the Digital Audio and run management system.



2. Select the files to be deleted.

3. Click the Delete button.

You could also use the option of Deletion in the menu.

Note:

Once a file is deleted, it won't be restored.

This operation cannot be used to delete the files in PC.



Notice



◆ To refresh USB connection

For safer use while connecting Digital Audio and PC, you could click the Connection button in the management system of Digital Audio to refresh the USB connection.



◆ Pre-listen

After selecting a song in your PC, you could listen to it by using Digital Audio manage system.

1. Choose the song to be listened.



2. Click the Pre-listen button on the top right corner, and then you could enjoy pleasant music pieces from PC. Now, the Pre-listen button changes into Stop button. Music will stop by clicking it again. If you want to listen to another song, you have to stop the current piece first and then go on to the next.



◆ Trouble Diagnosis

1. The LCD display window shows nothing after turning on MP3 player.

- Check to see if the battery has been inserted.
- Check to see if the battery needs replacement.
- Try reinserting the battery or replace it.
- Take out the battery and insert it correctly after 5 seconds.

2. The LCD display "Error, Reformat Media" after turning on MP3 player?

If you format the MP3 player by windows formatting tools, it will show "Error, Reformat Media" now you must reformat it by manager formatting tools in the MP3 player manager.

3. The buttons are not workable.

- Check to see if the "Hold" button is on.
- Release the Hold button.

4. No sound could be heard while playing MP3 files.

- Check to see if the volume is too low and turn it up.
- Check to see if the MP3 player is being connected with computer.

- Check to see if there is any music file in the memory.

5. I can't download music files after connection.

- Check to see if Manager Software is setup.
- Check the removable disk have shown in PC explore.

If not, please check your USB devices or you have install



Notice



manager software.

6. Some songs show the playback time not continuous

Now some MP3 or WMA songs use VBR format to compress, so the player can not show the playback time normally. You can try to compress again by selecting normal radding.

7. Some MP3 songs can not play in the player

If you did not copy whole file to removable disk, when player find some songs did not have a end, it will not play normal. Please check the song then delete it.



◆ Technical Spec

Memory Size	64M/128M/256M/512M(Internal)
Battery	A A A Alkaline Battery
LCD	96*32 Do matrix LCD
SNR	≥ 75 dB
Supporting Frequency	20Hz~20KHz
Supporting Bit Rate	8Kbps~256Kbps
Music Format	MP3,WMA
Record Format	A D P C M
ID3 Language	English